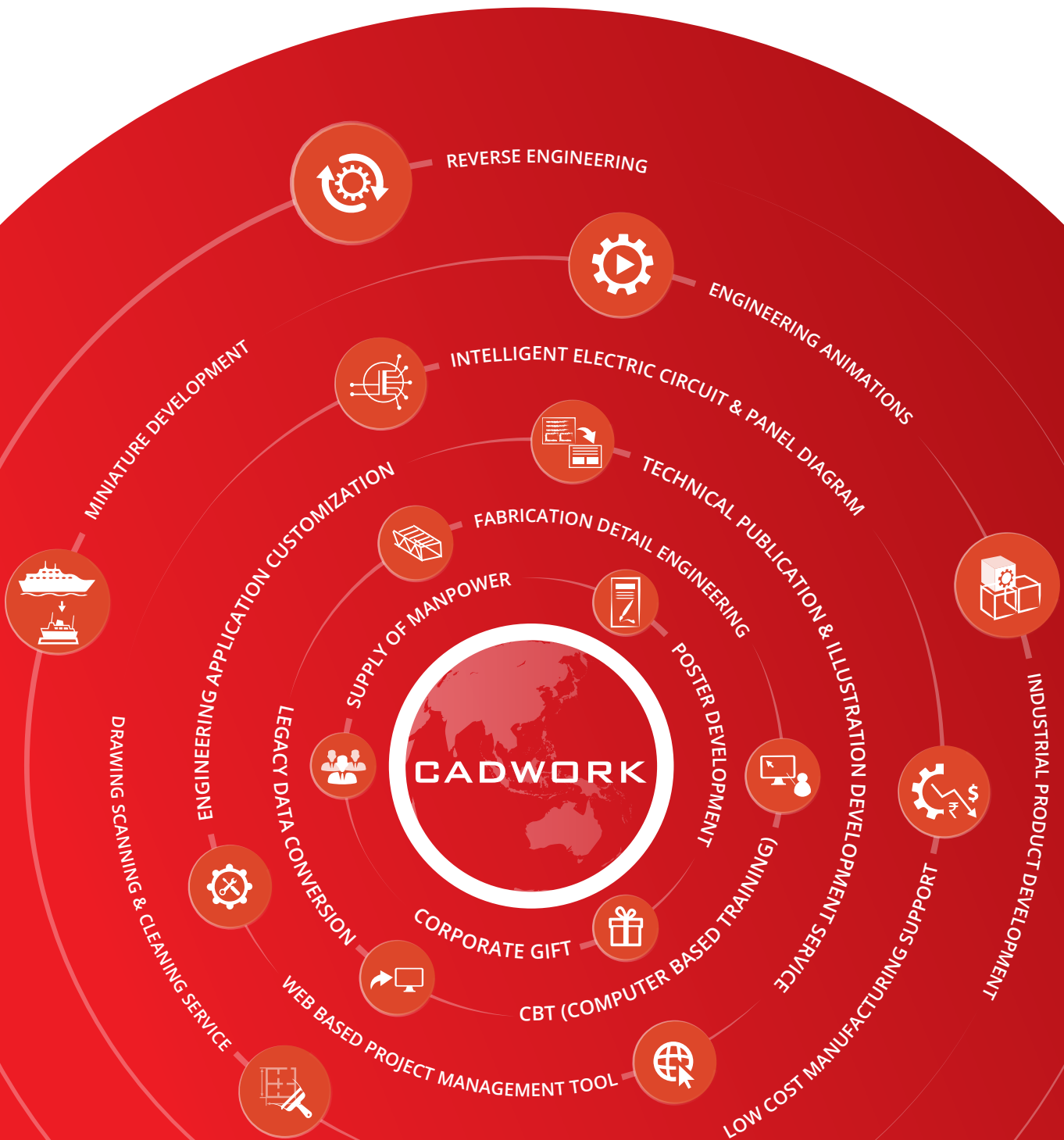




CADWORK

One stop for all your engineering & technology needs





We are here to serve you since 2006

ABOUT US

Our core purpose is to be a catalyst in our customer's success by strategically globalizing every aspect of their business.

We have been in business since 2006, specializing in engineering and technology services. We combine the specialized state-of-the-art technical skills with a solid base of project management experience.

Cadwork offers the best of all Engineering & Technology Services: Capabilities of the Vadodara's leading company, established relationships with local vendors, subcontractors, and building officials, and the in-depth knowledge and experience of an industry leader.

When you bring **Cadwork** on-board, you realize key benefits:

- ▶ Lower Project Cost
- ▶ Faster Schedule
- ▶ Innovative Design and Value
- ▶ Engineering Alternatives
- ▶ Higher Quality

With **Cadwork**, you can rest assured that your project, no matter its size, type, location, or level of complexity, will be completed to uniformly high standards of quality understood and followed by everyone throughout our company.

We have been continually upgrading our selves and setting benchmarks through customer satisfaction. Our clients range from small job shops and manufacturers to leading multinational companies like L&T, Essar, Alstom, Aditya Birla, ITT, Asian Paints & many more. Our services can be integrated into any stage of your design and manufacturing process.

SOME OF OUR VALUABLE CLIENTS



Our major offerings in... ENGINEERING AND TECHNOLOGY SERVICES

	01. Reverse Engineering	01
	02. Engineering Animations	03
	03. Miniature Development	05
	04. Supply of Manpower	07
	05. Technical Publication & Illustration Development Service	09
	06. Engineering Application Customization	11
	07. Drawing Scanning & Cleaning Service	13
	08. CBT (Computer Based Training)	15
	09. Legacy Data Conversion	17
	10. Low Cost Manufacturing Support	19
	11. Industrial Product Development	21
	12. Fabrication Detail Engineering	25
	13. Intelligent Electric Circuit & Panel Diagram	27
	14. Web Based Project Management Tool	29
	15. Poster Development	30
	16. Corporate Gift	31

and many more according to your company needs.



REVERSE ENGINEERING

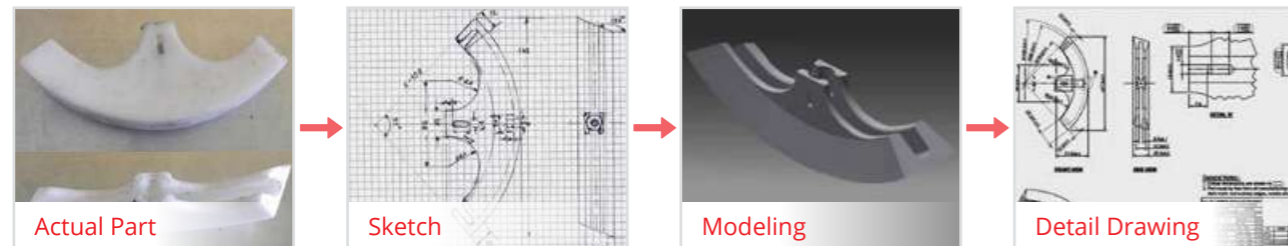
Take advantage of CADWORK'S experienced reverse engineering team.

Reverse engineering is used by businesses to bring existing physical geometry into digital product development environments, to make a digital record of their own products, or to assess competitors' products. It is used to analyze, for instance, how a product works, what it does, and what components it consists of, estimate costs, and identify potential patent infringement, etc.

Reverse Engineering is a process of discovering the technological principles of device, object or system through analysis of its structure, function & operation. It often involves taking something apart and analyzing its working detail. It is a method of creating 3d model or drawing of physical parts in computer aided design software with considering its technical parameters.

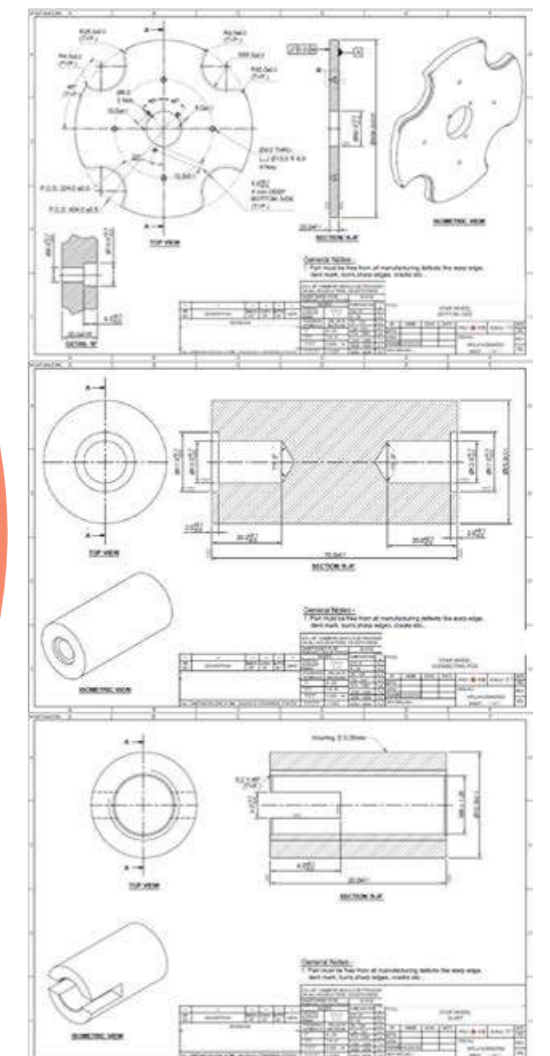
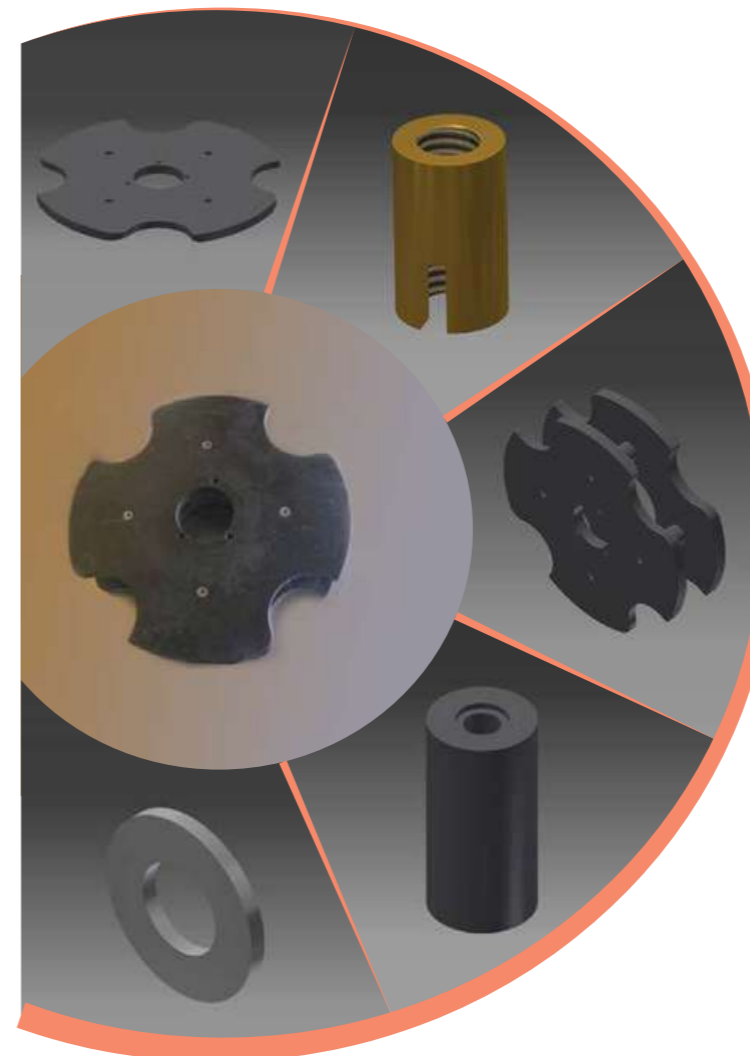
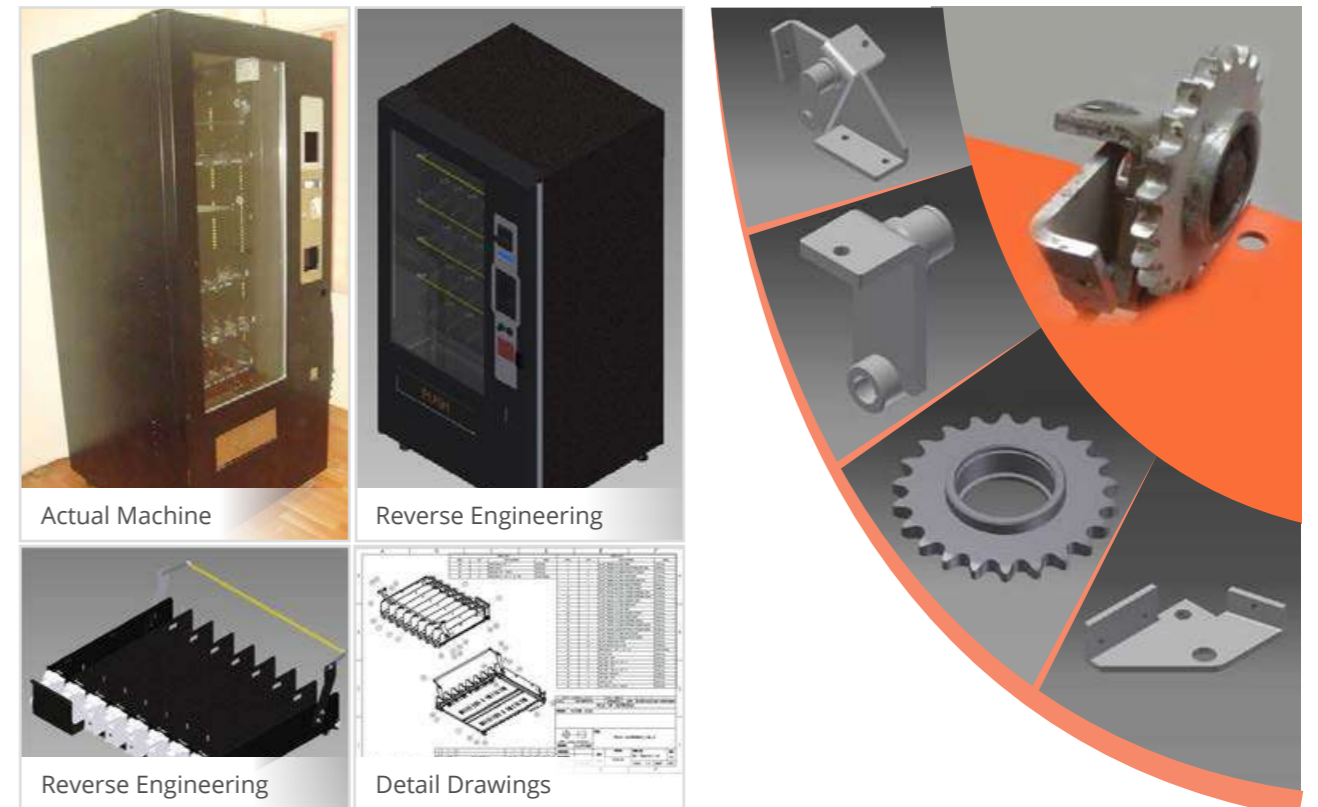
WE OFFER

- ▶ Obtain CAD data that captures an object's original design intent
- ▶ Design a new part to fit to a legacy part
- ▶ Accurately model performance surfaces
- ▶ Update CAD models of your tooling to match shop-floor changes
- ▶ Redesign a part without manufacturing defects
- ▶ Modernize your manufacturing process
- ▶ Detailed dimensional/geometric analysis
- ▶ Material and surface analysis
- ▶ Manufacturability analysis
- ▶ Design for manufacture (DFM) analysis



WHY REVERSE ENGINEERING?

- ▶ The original equipment manufacturers are either unwilling or unable to supply replacement parts, or demand inflated costs for sole-source parts.
- ▶ There is inadequate documentation of the original design.
- ▶ The original manufacturer no longer exists, but a customer needs the product.
- ▶ The original design documentation has been lost or never existed.
- ▶ Some bad features of a product need to be designed out.
- ▶ To strengthen the good features of a product based on long-term usage of the product.
- ▶ To analyze the good and bad features of competitors' product.
- ▶ To explore new avenues to improve product performance and features.
- ▶ To gain competitive benchmarking methods to understand competitor's products and develop better products.
- ▶ The original supplier is unable or unwilling to provide additional parts.
- ▶ To update obsolete materials or antiquated manufacturing processes with more current, less-expensive technologies.



ENGINEERING ANIMATIONS

Visualization with a picture may be worth a thousand words, but with an animation it is priceless...

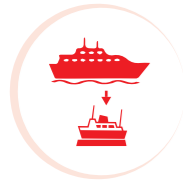
ANIMATIONS are ideal for many applications. From marketing messages to training videos to walk thru' animations they can tell a story quickly, showing complex processes and give your viewer access to images that cannot be depicted easily using traditional film methods. Animations can demonstrate abstract concepts and designs, show microscopic or telescopic views of an object or provide a 360 degree rotation. They are excellent for explaining a future project, process or planned development.



BENEFITS OF ANIMATION

- ▶ ANIMATION permits to simulate motion, a brief sequence can render a concrete concept that would otherwise remain very complex to understand or become an abstraction when explained via pure verbal testimony.
- ▶ Creating cost effective training materials for complex global equipment is critical to your organization without training via ANIMATION.
- ▶ Research has proven time and again that interactive 3D learning improves comprehension, retention and on-the-job performance and costs less than product mockups, physical simulations, and other active learning approaches.





MINIATURE DEVELOPMENT

Miniature models represent the physical appearance of an object.

A miniature model is most generally a physical representation of an object, which maintains accurate relationships between all important aspects of the model. This enables it to demonstrate some behavior or property of the original object without examining the original object itself.



ADVANTAGES

- ▶ Miniatures are primarily used for showcasing it in to board rooms, at reception area, displaying products to delegates meet, giving demonstration to potential customer and imparting training to newly joined employees.
- ▶ This model is synchronized with LCD display through control panel. So when a part is working inside model, related company presentation runs on LCD display.
- ▶ CADWORK's mobile application allows you to control miniature automation with your mobile.
- ▶ Miniature models are used by many fields for many different purposes.
- ▶ Smaller than the original and used as a guide to making the object in full size.
- ▶ Miniature models are built and collected for many reasons including, in engineering, for testing the likely performance of a design object at an early stage without the expense of building a full-sized prototype.



Dynamic passanger embarking & search light



Pick & drop anchor function



Communication tower with LED lights



Service: Miniature (Scale-down) working model with robotics & automation, dipped in blue water.
Value Addition: LCD display connected to control panel shows presentation when a part is working in ship model.
Model Name: "Arabian Sea" 250 passenger cum cargo ship.



Working lifeboat function



Three axis working maintenance crane



Synchronized presentation display



Radars & propellers working



Cargo hatch cover open close function



Bow thruster working



Ship raft working crane



SUPPLY OF MANPOWER

Supply of Manpower Service offers skilled manpower on contract basis.

It is cost saving device to our clients.

Manpower is possibly the most important resource in any company and is also the constant resource that comes at a high cost. To come out from this situation up to some extent our clients undertake supply of manpower service from us. By this service our clients can enjoy availability of skilled manpower as per their need and requirement, which saves time. This service is cost saving device because clients have neither permanent liability nor statutory obligations like PF, gratuity, bonus etc. for deputed contractual resources. It also saves cost because contractual deputation can be arranged for short term or long term as per client's requirement.

CADWORK has already deputed skilled manpower to many corporate clients. We have on our records a resume bank of candidates from different fields, which we update on regular intervals. From our databanks we can identify the quality and right candidate to suite your requirements.

BENEFITS

► COST EFFICIENCY

Predictability of cost of manpower services prevails.

No requirement of giving benefits equals to regular employees such as seniority pay, incentives & bonus, or mandated remuneration like separation pay. These are non-compulsory for contract manpower.

Direct expenses for hiring are shouldered by us.

In the immediate term. Contractual employment compensation is equal to Entry Level Regular employee of client. In the long term, however, contractual employee is cost efficient since it is not subject to mandatory increases or benefits accruing to regular employee such as seniority, performance, adjustments etc.

► CONSISTENCY OF MANPOWER SUPPLY

To maintain consistency of manpower CADWORK may provide facility of direct hiring of contractual employee on client's direct payroll subject to relation and scope of business with client.

Deployment of contractual manpower by us provides a practical solution to the cycle of employee hiring and firing.

► FLEXIBILITY

Permissible contracting permits the Principal-Client to scale down workers deployed by us at anytime within the specification of the service contract. Causes of scale down workers may range from: non-compliance of standard requirements, completion of specific project, to slow-down in business activity.

► CONTINUITY

CADWORK provides for a Reliever System to ensure non-interruption of work. Downtime caused by absences or leaves is prevented.

► LIABILITY PROTECTION

Since Contractual Employees are basically contractor employees. Client is secured from monetary claims, union activity or strikes & labor suits. In addition to this contractual employees are bonded.

► GURENTEED SUPPLY OF QUALITY MANPOWER

CADWORK pre-screens & trains Contractual Employees in compliance with client's qualification requirements. Client saves time and money in processing and training of personnel.





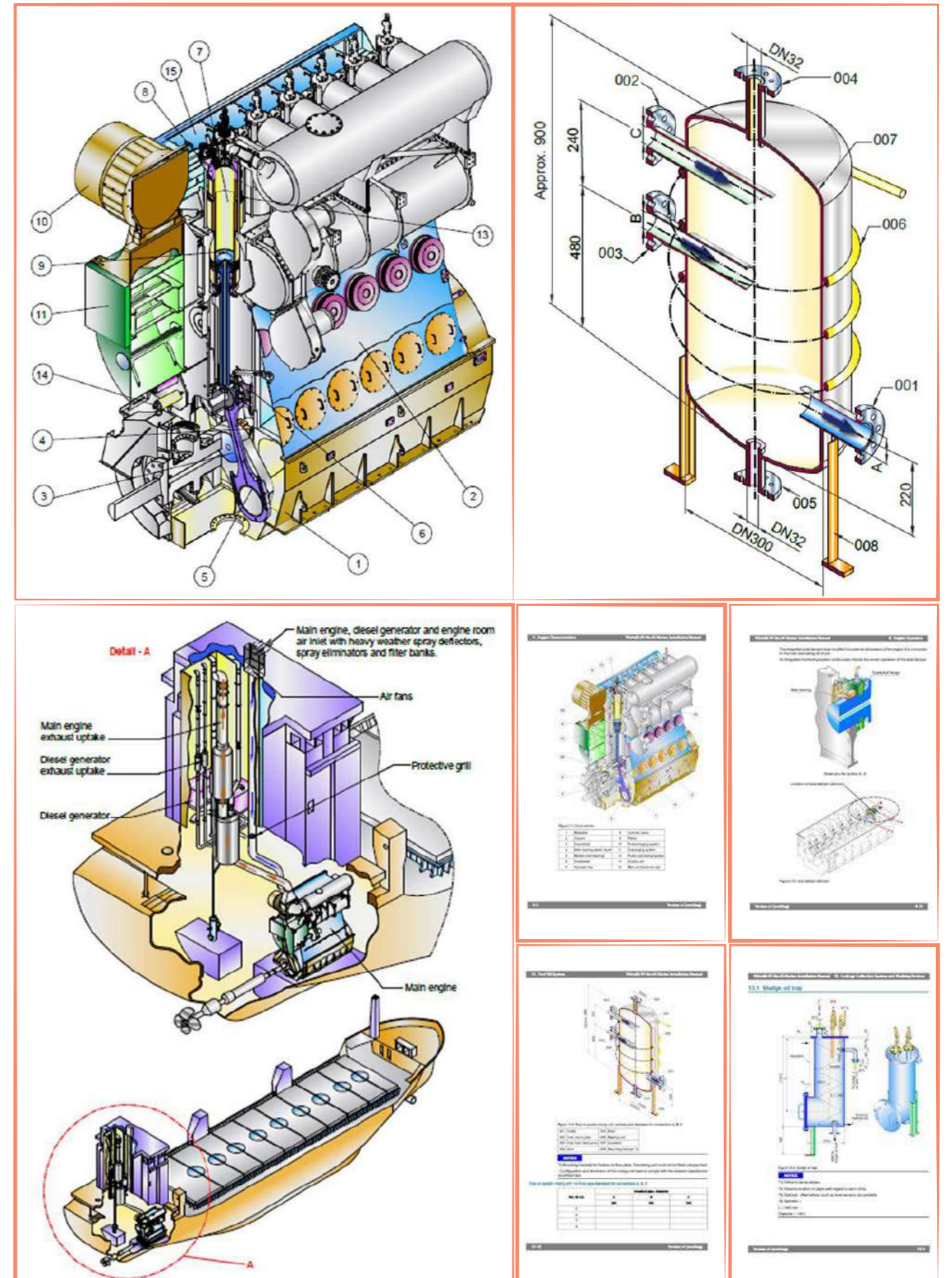
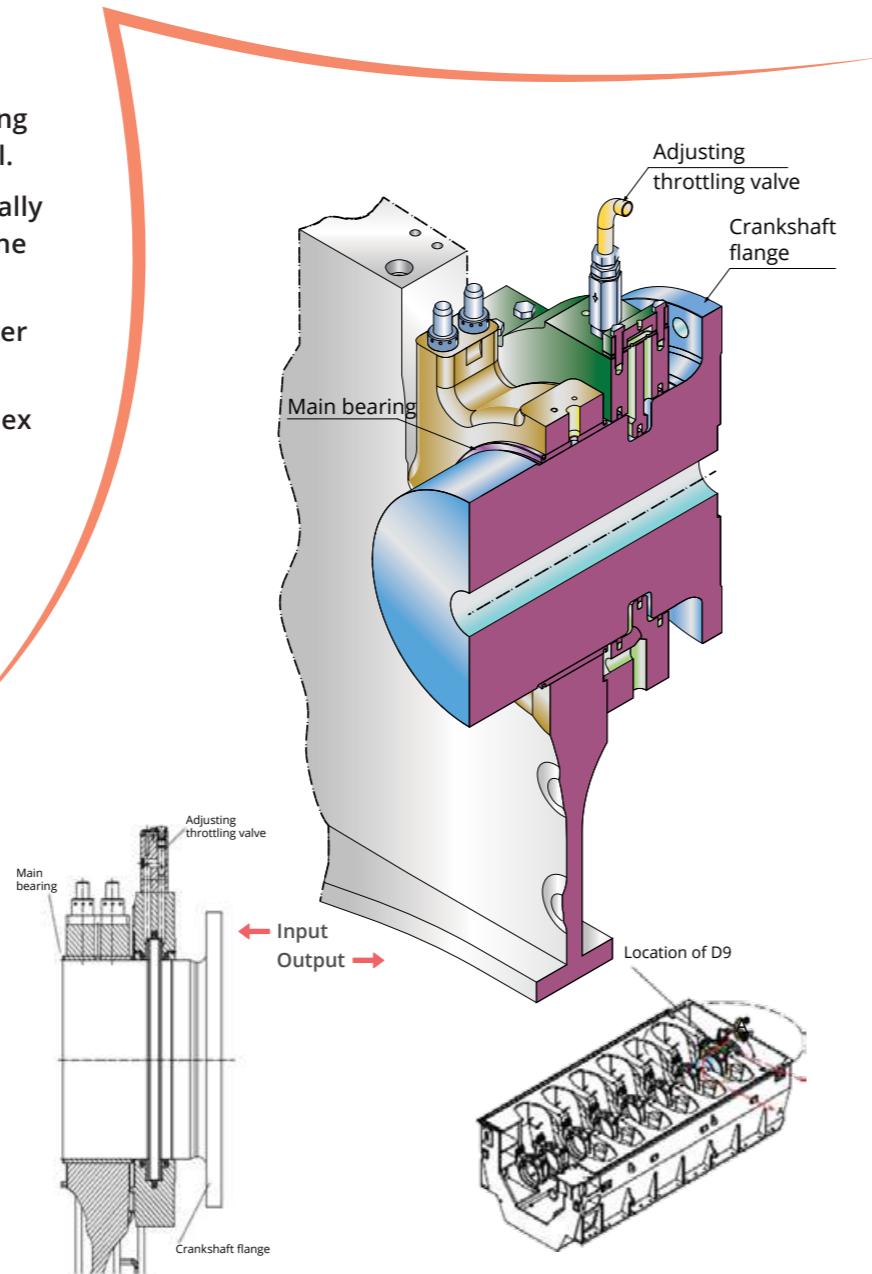
TECHNICAL PUBLICATION & ILLUSTRATION DEVELOPMENT SERVICE

Now-a-days the need of technical illustration is increased because of the demand of high quality documentation.

Technical Illustration is the use of illustration to visually communicate information of a technical nature. Technical illustrations can be components of technical drawings or diagrams. Technical illustrations in general aim "to generate expressive images that effectively convey certain information via the visual channel to the human observer".

WE OFFER

- ▶ Our technical illustrators prepare supporting graphics for all authored technical material.
- ▶ The illustrators develop artwork electronically on a wide variety of native systems using the most recent releases of software.
- ▶ We can provide a variety of vector and raster formats according to customer need.
- ▶ Our illustrators can render the most complex exploded views and functionalized wiring diagrams.
- ▶ Satisfying stringent documentation requirements is our business.
- ▶ Use of good color combinations which also works for grey shade printing.
- ▶ Our Major offerings
 - 1) Maintenance Manual
 - 2) Cleaning, Inspection & Repair Manual
 - 3) Illustrated Parts Catalogue
 - 4) Electric Schematic & Wiring Data Manual
 - 5) Installation & Operator's Instruction Manual
 - 6) Interactive e-catalogue

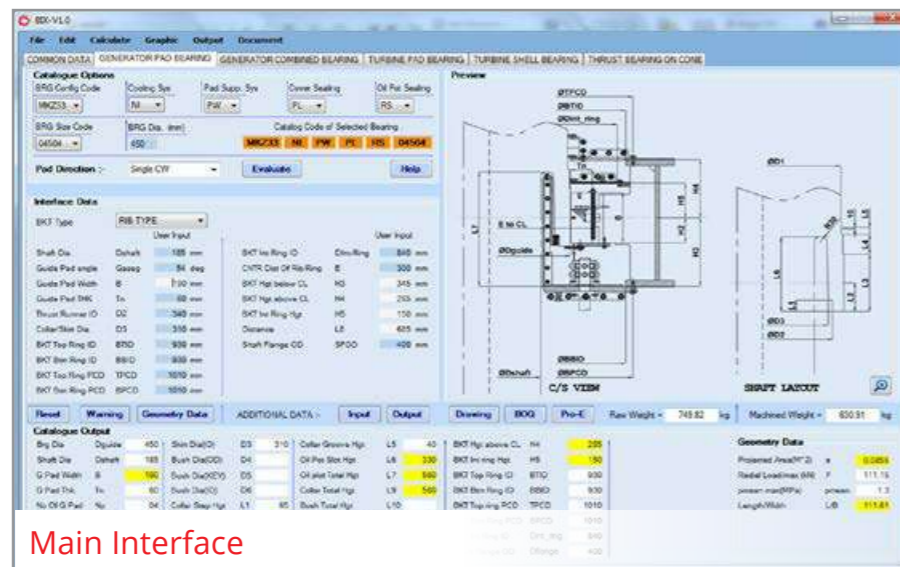




ENGINEERING APPLICATION CUSTOMIZATION

Custom application is supposed to deliver specialized and/or unique user interfaces, workflow, and system interconnects that provide the buyer with more benefits and resultant value.

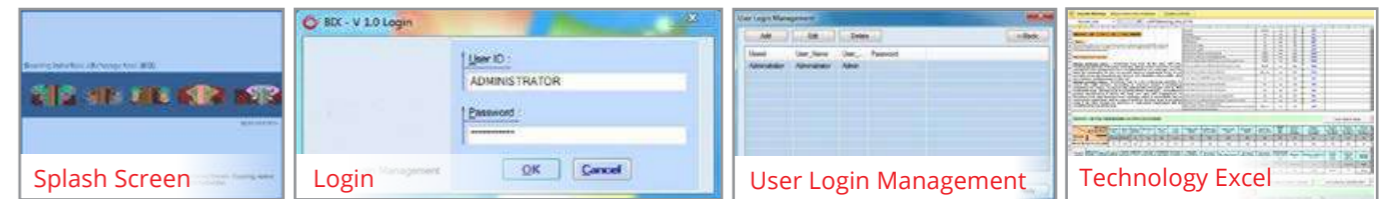
Custom engineering application development services help a modern-day enterprise keep pace with the rapidly changing market environment with the help of advanced system enablement and flawless functional compliance. Most custom applications are technical specific & helps to implement from software to production.



Main Interface

BENEFITS

- ▶ Time is money! The more efficiently you can perform routine operations, the more competitive you are in today's economy. This is a key benefit of customized Engineering Application Development.
- ▶ Tailoring the software you use on a daily basis to streamline or automate your workflows. Engineering software provides powerful APIs and SDKs (Software Development Kits) that allow you to gain greater value from your investment in software by tailoring it to the needs of your business - customizing the product's existing features or adding entirely new ones.
- ▶ CADWORK offers two different APIs - .NET & LISP. During regular practice we use .NET because it offers the most powerful and modern programming environment - combining the very comprehensive .NET API with the most modern programming tools (the Microsoft .NET Framework and Microsoft Visual Studio).
- ▶ .NET gives you access to any of the .NET compliant programming languages (Visual Basic .NET, C#, F#, etc.) to develop plug-ins. While each language has its own relative benefits, Visual Basic .NET is the natural choice from our major MNC clients: it is the easiest to use; it is the most human readable; and (like any other .NET language) it gives you complete access to the power of the underlying Microsoft .NET Framework.

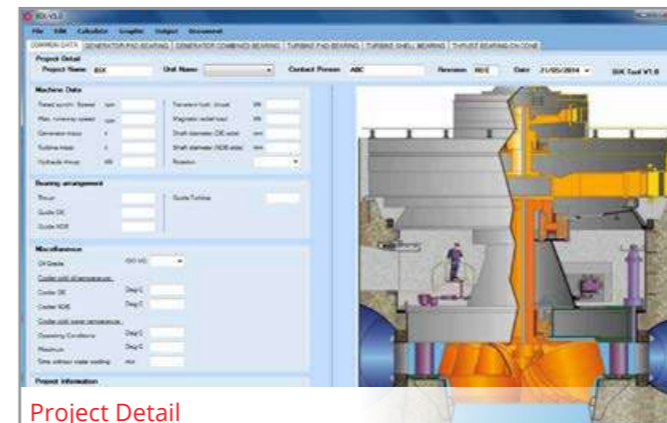


Splash Screen

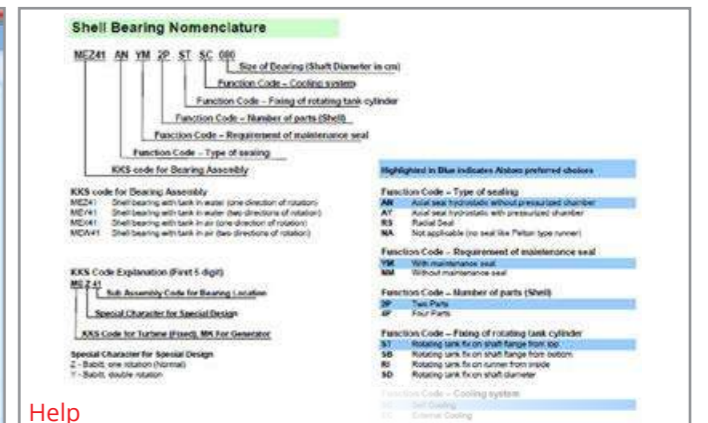
Login

User Login Management

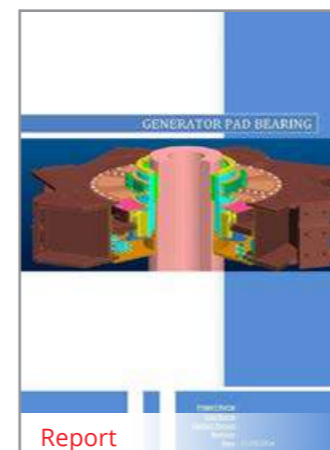
Technology Excel



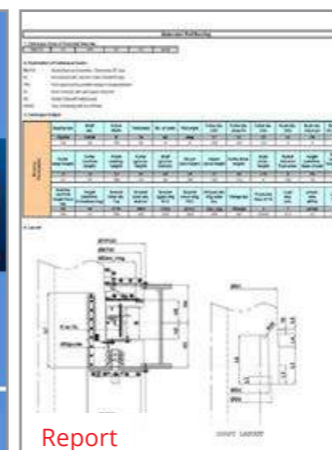
Project Detail



Help



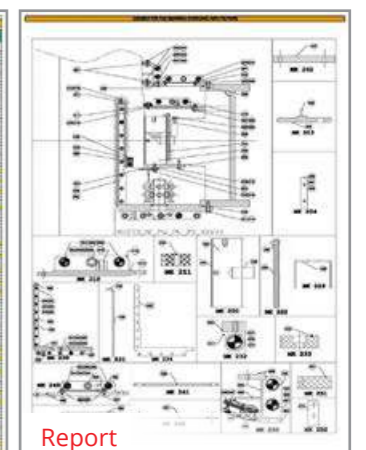
Report



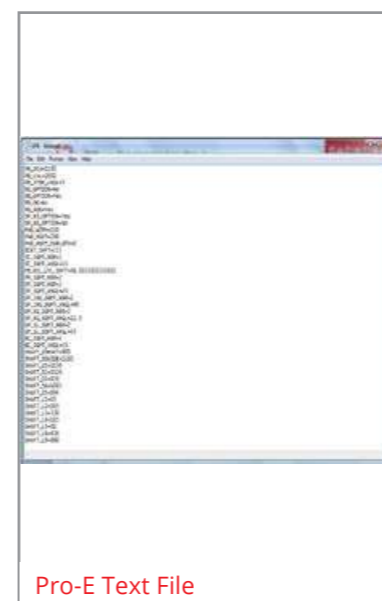
Report



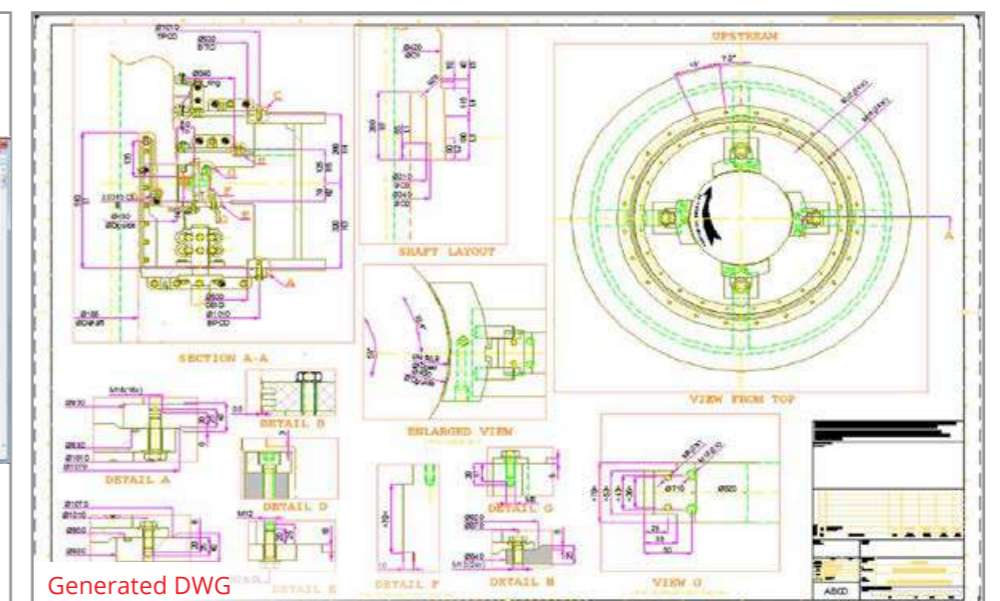
Report



Report



Pro-E Text File



Generated DWG



DRAWING SCANNING & CLEANING SERVICE

CADWORK is a well-known service provider with dead knowledge gained that provides accurate and low priced drawing scanning & cleaning services.

Drawing scanning & cleaning service means drawings are scanned with good quality scanners in a simple process and are enhanced / cleaned for unwanted gray shades & other old paper scanning issues. The services are excelled as per the demands of our clients and the professionals of Scanning & Cleaning try to give their best in fulfilling their need.

We at CADWORK, by implementing and introducing this drawing scanning & cleaning service in Client's system, client can save energy and reduce headache of photocopy, fax, and mail transport. The tasks will be elegant, accurate and well as in safe hands which will indirectly boost the profits of a business firm. The new electronic documents will be indexed for easy accessibility and can then be transferred to your file servers in your preferred formats.

STEPS

- ▶ Firstly we receive the drawings to perform and retrieve the information as per the needs.
- ▶ Provide tailored solution that will develop to convert your drawings into Digital Assets.
- ▶ The drawings are prepared in natural order to enable the best possible scanning results.
- ▶ Scanned drawings are processed thru raster editing & cleaning tools to ensure high quality results.
- ▶ Entails a thorough review of the prepared drawings.
- ▶ Focuses on general project requirements.
- ▶ Process the naming and coding accuracy and validation.
- ▶ Once you receive and review the digital files, we initiate our electronic file destruction procedures, which will automatically delete your files from our systems.

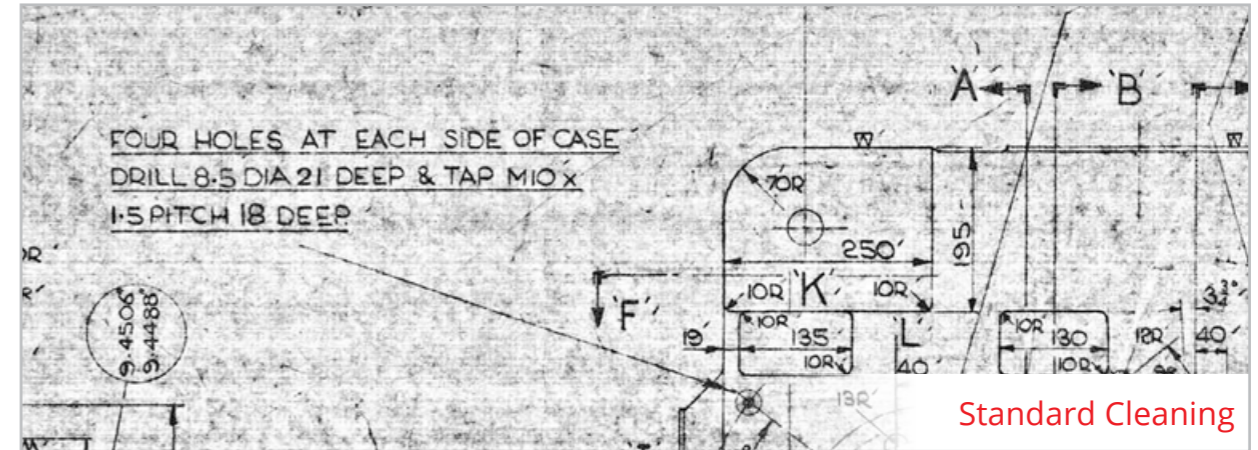
BENEFITS

- ▶ The benefits of scanning & cleaning the drawings are plenty but the main reason is to get better enhancements to the old or poor quality of the drawings and make it long lasting.
- ▶ The drawings are secured from all the harmful elements and can be customized whenever needed. Each drawing image is inspected and compared by our specialized team against the original drawing to ensure the highest quality output is achieved.
- ▶ With the great features in drawing scanning & cleaning services one can get easy methods to store their drawings electronically.
- ▶ It also helps to retrieve the drawing files within seconds from your desktop and also reduce storage costs and creates space for more productive use. This has greatly affected many reputable firms and has helped them in their busy schedule.
- ▶ Outsourcing these drawing scanning & cleaning services to firms like CADWORK gives all types of facilities in a sophisticated way enabling shredding, storing, and safely returning the hardcopies to our clients.

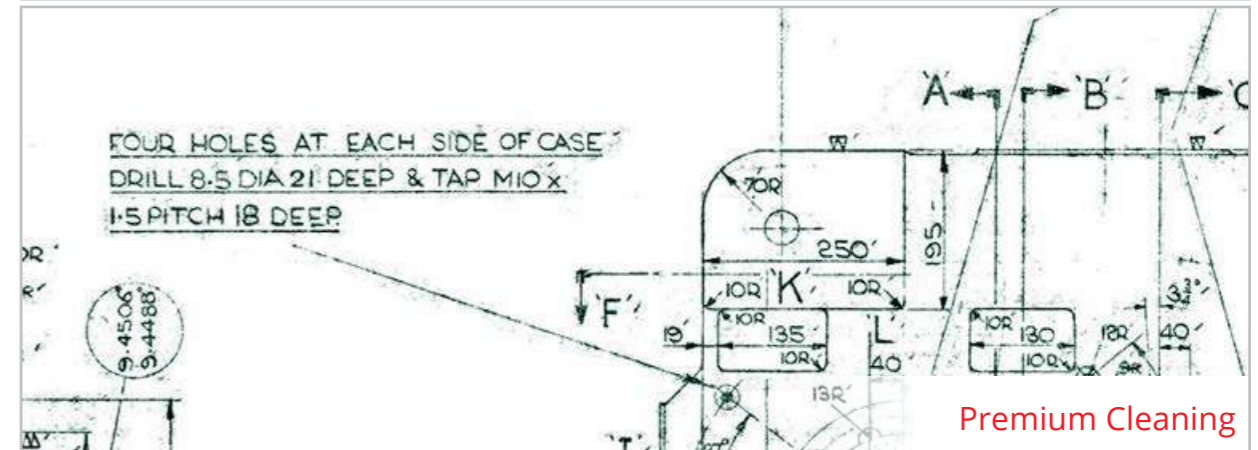
To give the best quality services we have implemented superior Scanners & raster editing tools to provide exceptional image quality from drawings.



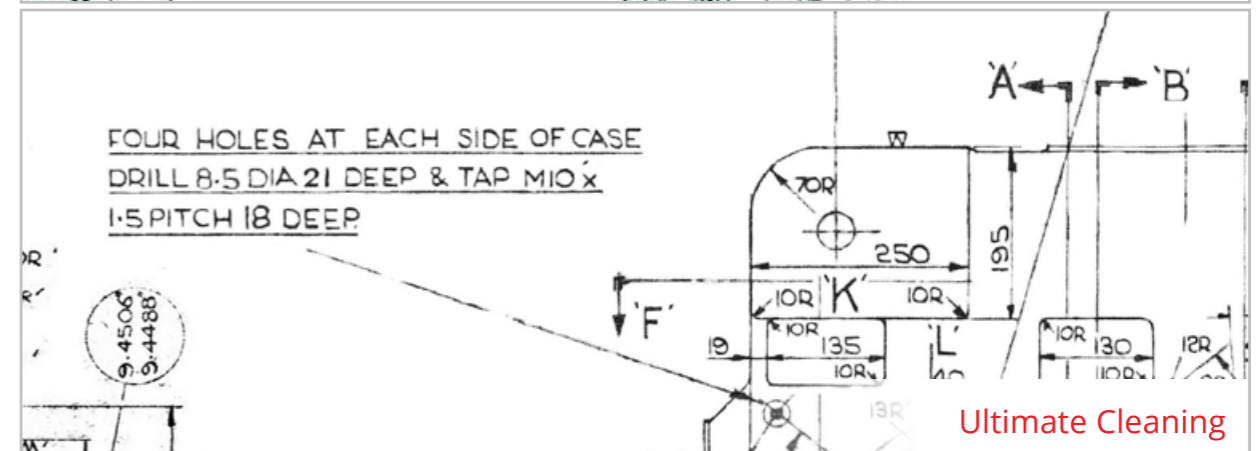
Input Image



Standard Cleaning



Premium Cleaning

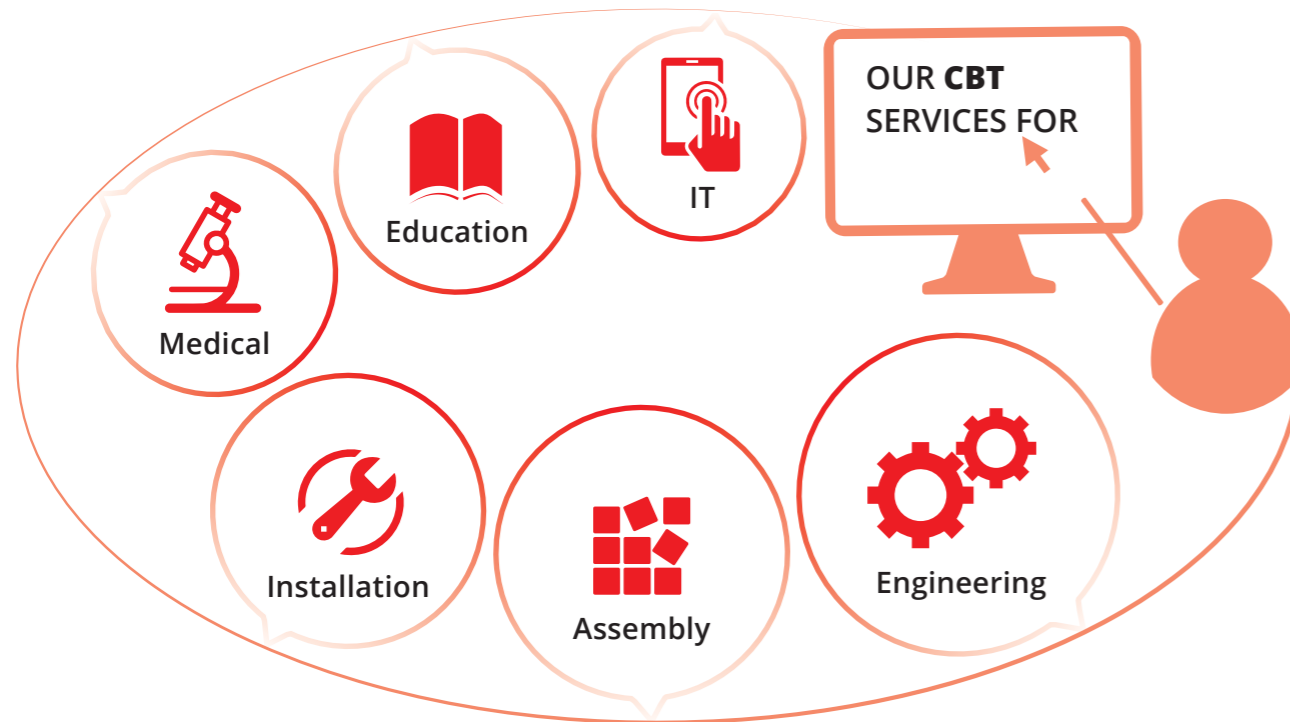


Ultimate Cleaning

CBT (Computer Based Training)

A type of education in which the students/trainees learn by executing special training programs on a computer.

CBT is especially effective for training people to use computer applications because the CBT program can be integrated with the applications so that students/trainees can practice using the application as they learn.

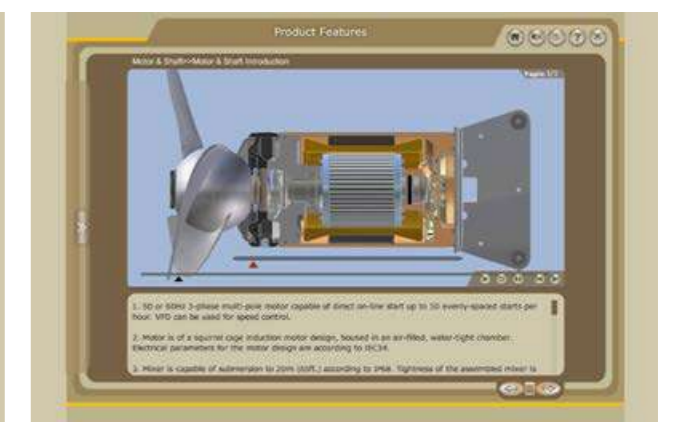


ADVANTAGES

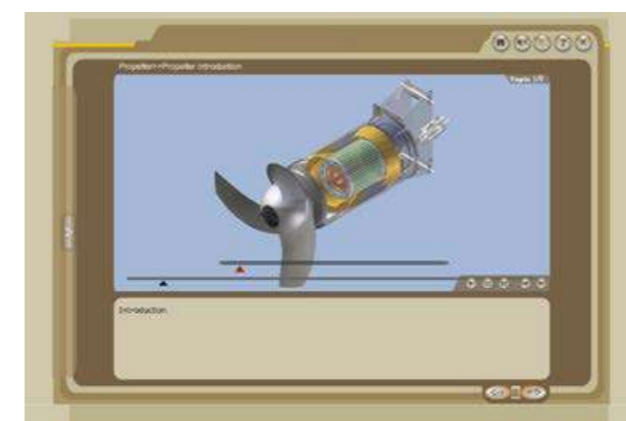
- ▶ Improved open access to education, including access to full degree programs.
- ▶ Better integration for non-full-time students/trainees, particularly in continuing education.
- ▶ Provision of tools to enable students/trainees to independently solve problems.
- ▶ Acquisition of technological skills through practice with tools and computers.
- ▶ You can edit video content and text content even after our final submission. By these you can get freedom to modify CBTs.
- ▶ CBT allows employees (trainee) to learn when they want to, which is most convenient for them.
- ▶ No human trainer or scheduled training meetings required as trainee or employee can learn with this program on individual need basis.
- ▶ Trainees also might feel more comfortable and less shy doing these types of exercises.
- ▶ During training, the employee can pause and continue as per their convenience.
- ▶ It also reduces travel time for training location as now it is available to employee's workdesk.



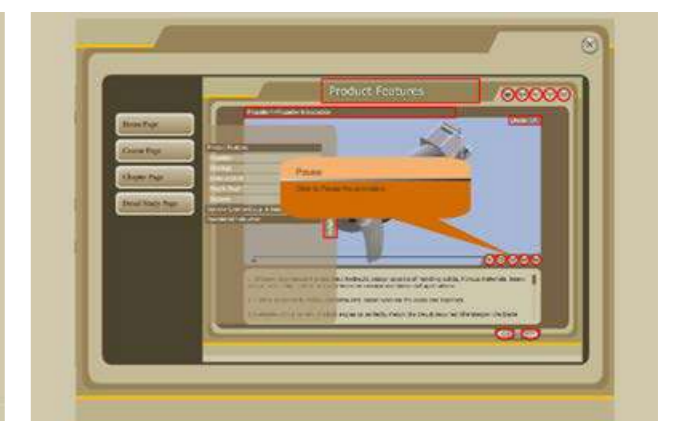
Introduction



Index



Sub-index



Interactive CBT Help

LEGACY DATA CONVERSION

We convert data (in any form) to the latest database format and produce quality software products, on time and within the budget.

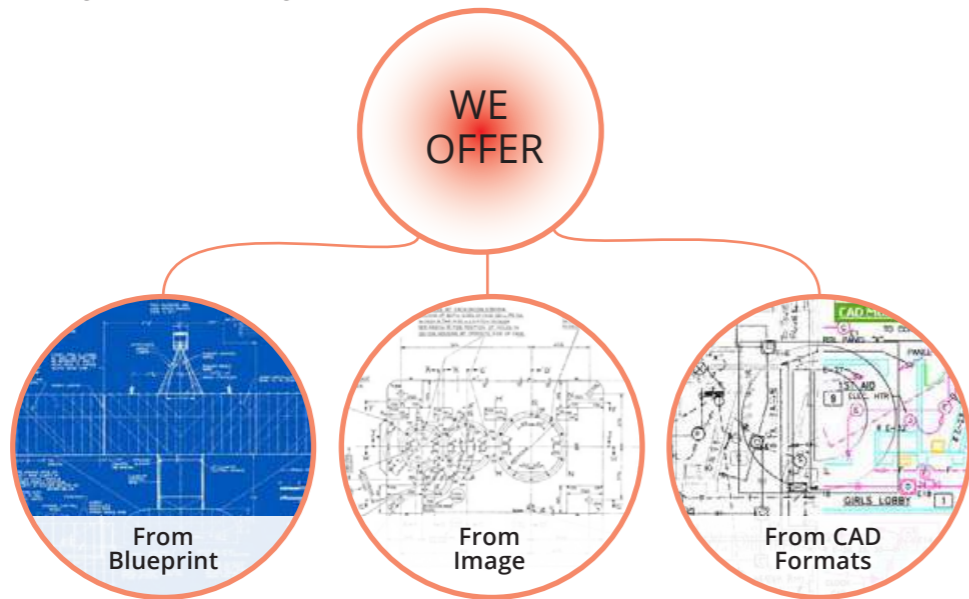
Today in the ever changing business economy, preference to outsourcing is considered a wiser option.

Our Legacy Data Conversion service helps you in getting your CAD design work done by qualified and proficient professionals, working aggressively to meet your company standards without compromising on quality part.

Legacy Data is normally work left behind during course of time because of priorities. we offers Legacy data conversion services with high standards of modeling and drafting quality on priority to bring the engineering data in the specified CAD platform by clients of automotive and general engineering.

CADWORK provides:

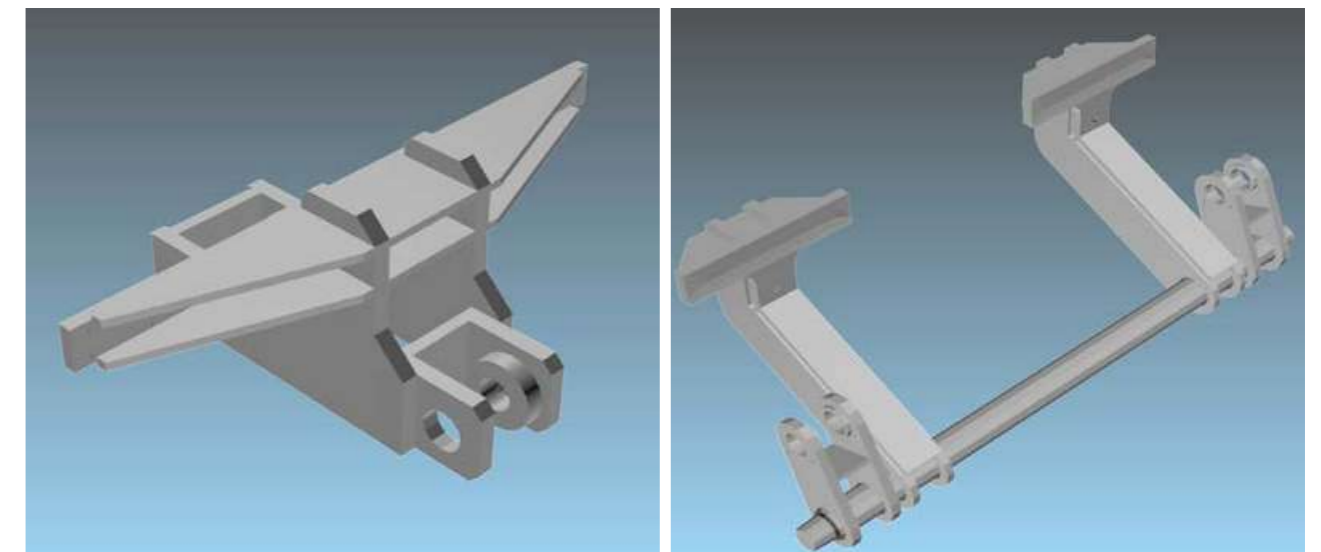
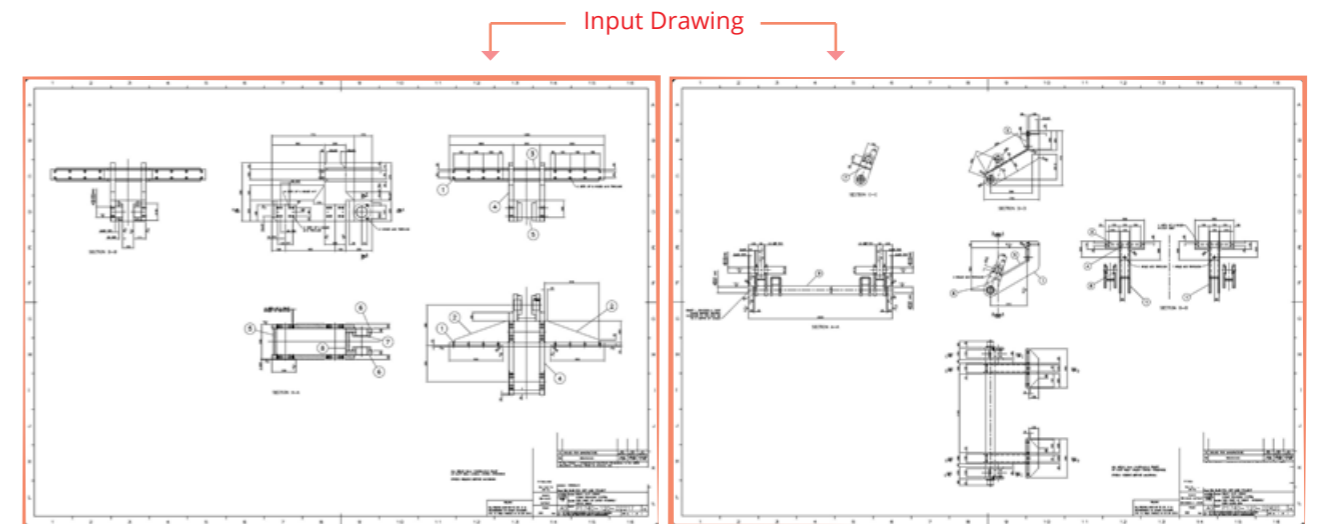
- 2D to 3D
- Paper to Electronic
- CAD to CAD
- Surface Modeling to Solid Modeling.



BENEFITS

- ▶ Cost effective.
- ▶ Gives higher quality work.
- ▶ Meets deadline of your project.
- ▶ Reduction on overhead charges.
- ▶ You can concentrate on other business issues.
- ▶ Gets benefits of updated technology and management.
- ▶ An average cost savings of 60% to 70% versus the costs of performing data conversion in-house.
- ▶ Guaranteed data consistency and quality meets your specifications.
- ▶ Reusability in both upstream and downstream applications makes faster time-to-market and reduced costs.
- ▶ Increased time for your design team to focus on core design tasks.

1) 2D to 3D conversion With BOQ Generation



BOQ Generation

TOTAL WEIGHT 283.39										
MARK	ITEM NO.	SECTION	WIDTH	LENGTH	NO. REQ'D.	UNIT WEIGHT (KG)	TOTAL WEIGHT (KG)	MAT'L LIST	REMARKS	
-	8	PL	30.00	170.00	200.00	1	8.00	8.00	EN10025 S275JR	-
-	7	PL	34.00	#160.00	#160.00	2	3.26	6.52	EN10025 S275JR	-
-	6	PL	40.00	200.00	250.00	2	13.04	26.08	EN10025 S275JR	-
-	5	PL	30.00	160.00	250.00	1	9.42	9.42	EN10025 S275JR	-
-	4	PL	40.00	550.00	773.00	2	71.42	142.84	EN10025 S275JR	-
-	3	PL	20.00	200.00	250.00	2	7.85	15.70	EN10025 S275JR	-
-	2	PL	20.00	200.00	510.00	4	9.42	37.68	EN10025 S275JR	-
-	1	PL	40.00	100.00	1450.00	1	37.15	37.15	EN10025 S275JR	-
P1740-120-D2217-a (1 OF 1) BILL OF MATERIAL										

TOTAL WEIGHT 454.21										
MARK	ITEM NO.	SECTION	WIDTH	LENGTH	NO. REQ'D.	UNIT WEIGHT (KG)	TOTAL WEIGHT (KG)	MAT'L LIST	REMARKS	
-	9	PL	#120.00	#120.00	2020.00	1	172.61	172.61	EN10083-1 C40E	-
-	8	PL	14.00	#110.00	#110.00	4	0.49	1.96	EN10025 S275JR	-
-	7	PL	15.00	160.00	110.00	2	2.07	4.14	EN10025 S275JR	-
-	6	PL	30.00	180.00	470.00	4	13.42	53.68	EN10025 S275JR	-
-	5	PL	20.00	130.00	650.00	2	13.27	26.54	EN10025 S275JR	-
-	4	PL	20.00	130.00	100.00	2	2.04	4.08	EN10025 S275JR	-
-	3	PL	20.00	130.00	190.00	4	2.75	11.00	EN10025 S275JR	-
-	2	PL	40.00	262.00	550.00	2	21.72	43.44	EN10025 S275JR	-
-	1	PL	25.00	776.00	773.00	4	34.19	136.76	EN10025 S275JR	-
P1740-120-D2420-a (1 OF 1) BILL OF MATERIAL										



LOW COST MANUFACTURING SUPPORT

CADWORK's manufacturing support implementation with leading edge consulting gives saving in cost and time with significant improvements in quality, reliability, delivery, customer acceptance and, in general, competitive posture.

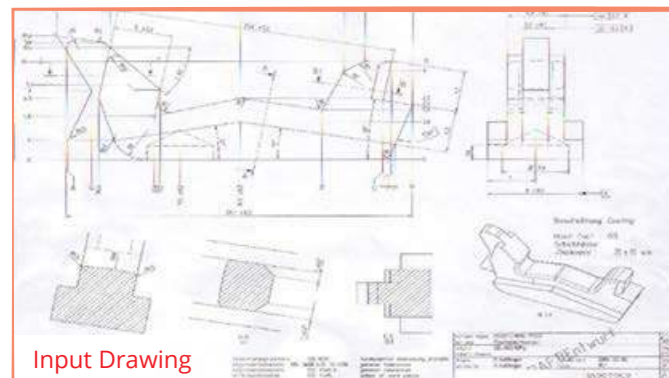
We at CADWORK, works for any size & type of company to provide low cost manufacturing support, to shorten product manufacturing cost and ensure a smooth transition into production with required preciseness and accuracy.

We understand how products are manufactured through experience in manufacturing, training, rules/guidelines, and multi-functional teams with manufacturing expertise.

We believe in continuously improved technologies, proven track records, & dedicated production facilities.

To improve quality and cost effectiveness we regularly inspect manufactured parts which lead to in time delivery.

CADWORK's integration gives your organization a creative concept that holds the potential of all cost reduction parameters with quality and quantity.



Input Drawing



Manufactured Part

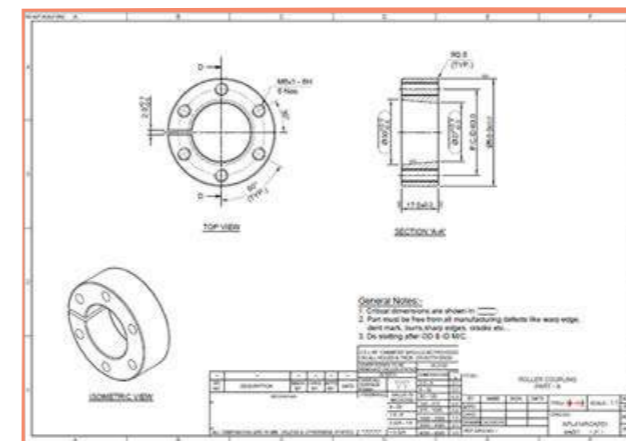
ADVANTAGES

- ▶ Reduced overheads of company by avoiding access manufacturing storage and inventory.
- ▶ Reduced expensive machine costs, operator costs and wages.
- ▶ Don't pay for what you don't need. Get rid of unused equipment.
- ▶ Reliable survey says, there are approximately 40 common overhead costs at most companies. By outsourcing to us, you can maximize savings opportunities.
- ▶ Reduced investment & management costs of manufacturing setup.

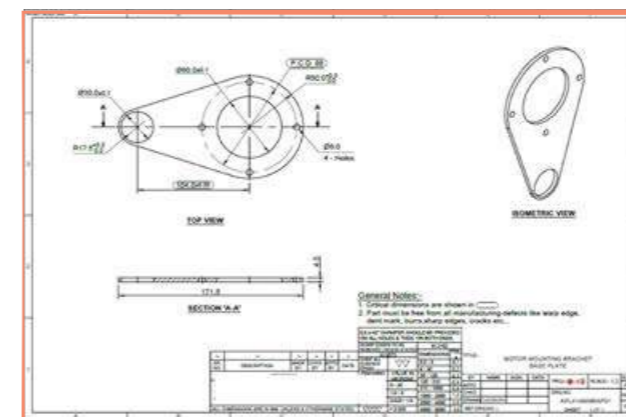
Client's Visit at CADWORK's Office



Detail Drawings

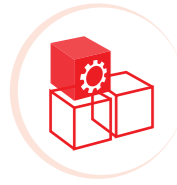


Manufactured Parts



Finished Goods





INDUSTRIAL PRODUCT DEVELOPMENT

New product development provides an opportunity to change the competitive landscape. New products can help company gain new customers, retain existing customers and increase profitability. In short, new products are the only source of competitive advantage.

In today's competitive world, companies do not compete on price or delivery alone. Introduction of new product or new product features has become main source of competitive advantage. In high tech world, companies can hop to survive only if they introduce new products. Old products will rapidly become obsolete & new products become the only source of future revenue.

► Retain existing customer base

Customer's needs keeps changing with time. In order to retain current customers, business must constantly adapt to meet the changing requirements.

► Cannibalize yourself

Best way to retain current market share is to attack your existing product with newer & improved products. The new products must be aimed at customers of existing products and at similar products (from competitors). Cannibalizing existing products is a surest way to retain market share, remain fresh & current in the market place – and win some market share from competition.

► Leapfrog the competition

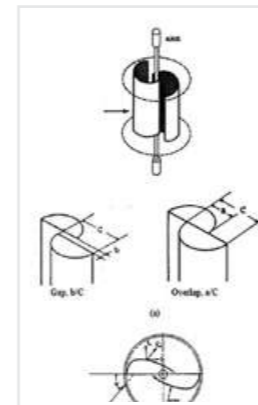
In most markets, everyone knows who the competition is – and they know its history, its behavior, its pricing and usage. Knowing the product so well will also reveal its vulnerability, thus allowing competition to introduce a better product. The same logic can be applied in the reverse. I.e. introduce a product that is way ahead of what the competition already has in the market.

The new product should be so much advanced that it will take years for the competition to catch-up. In the mean time, the new product would have become the new market leader.

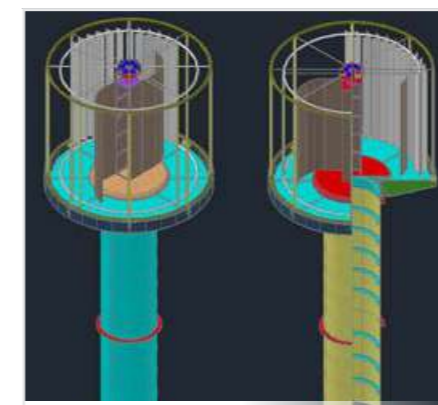
► Meet the latent demand

Customer who use your current product will always have newer needs, and often wish that the current product could do more than what it does today. This is a latent demand for a newer product – which can be effectively be exploited by product improvements.

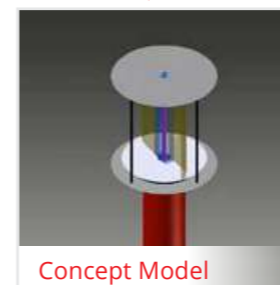
1) Wind Mill Development



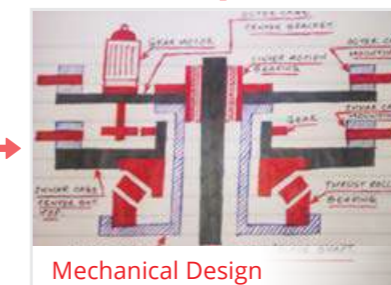
Concept Sketch



Detailed 3D Model



Concept Model



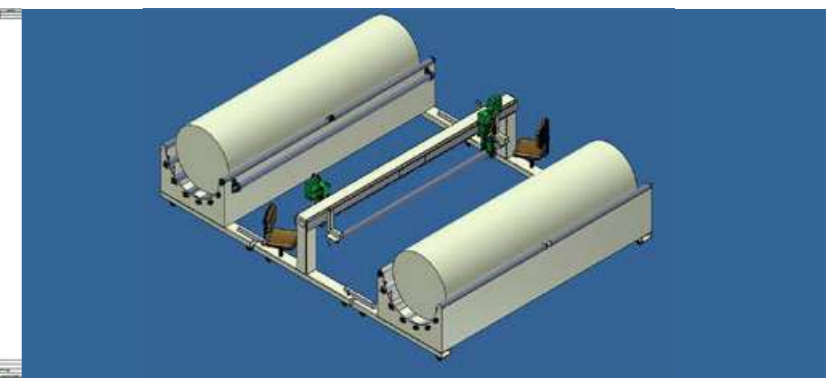
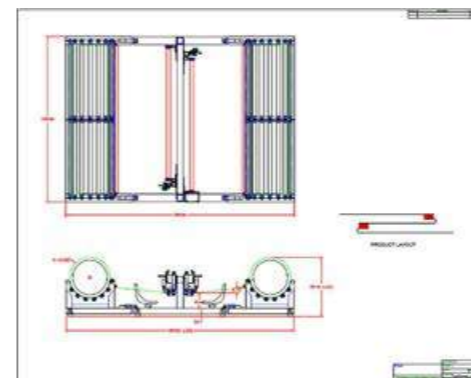
Mechanical Design



Actual Development

2) Hear Sealing Machine Development

Drawing

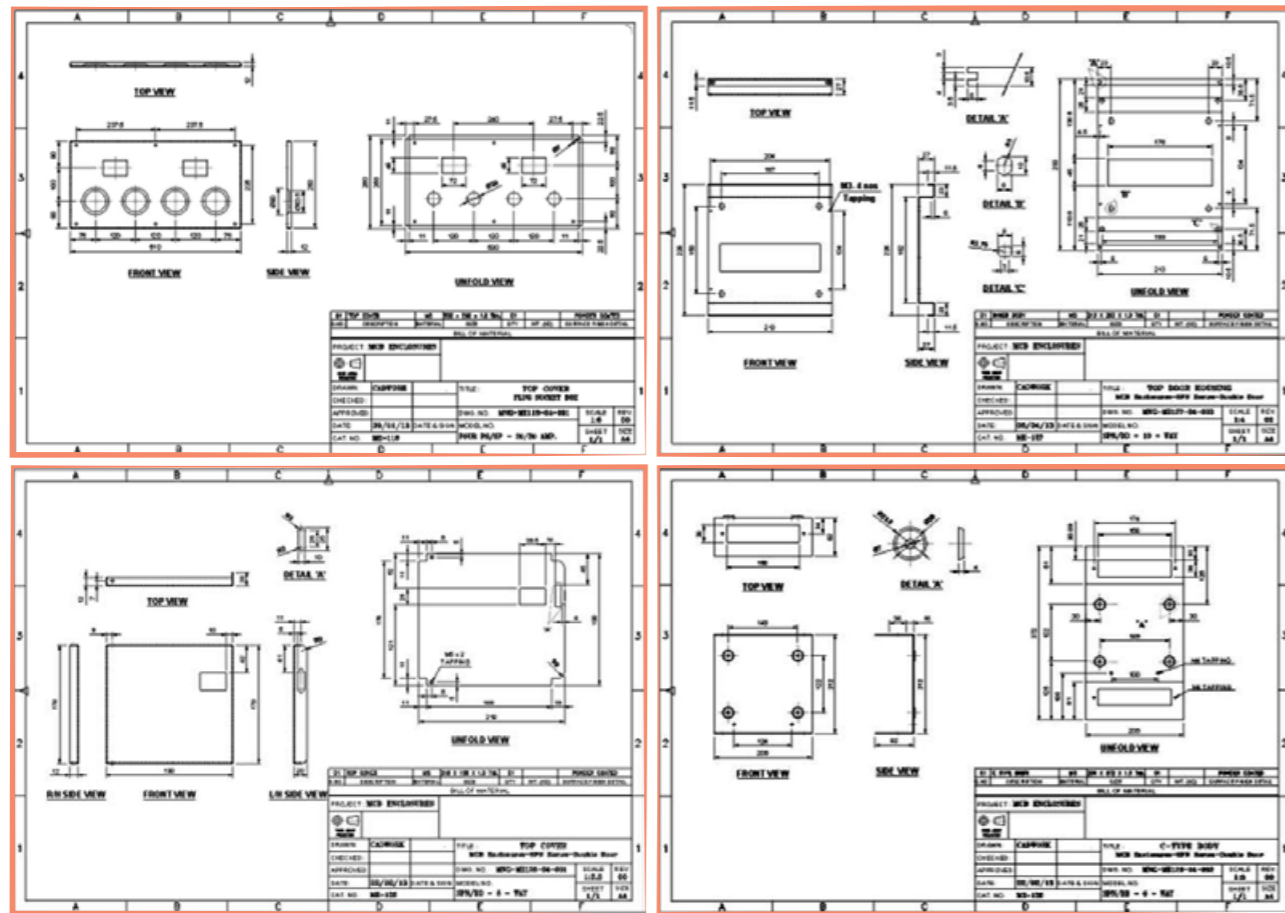


Developed Machine Model Images



3) Electric MCB Box Development

Detail Drawings



Developed Parts

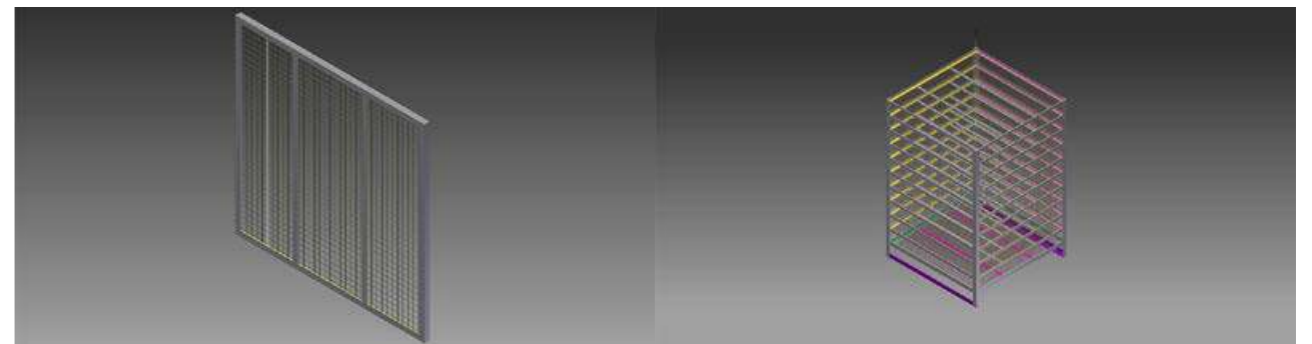


4) Yarn Heat Treatment Trolley Development

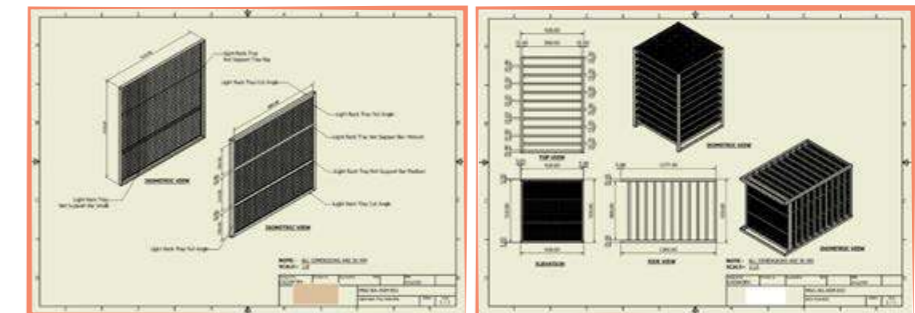
Product Photos



Product Modelling



Detail Drawings



5) T.F.O. Development

Product Photos



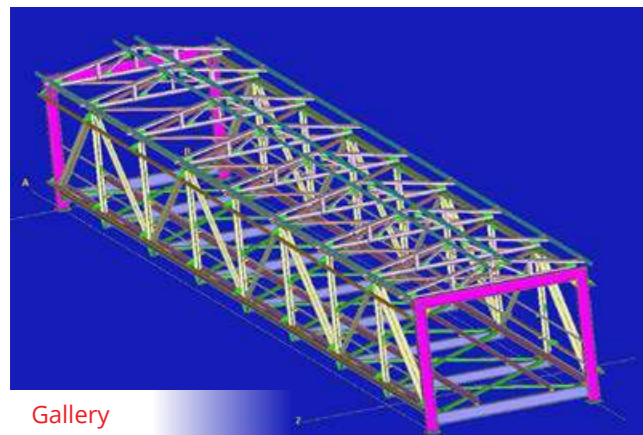


FABRICATION DETAIL ENGINEERING

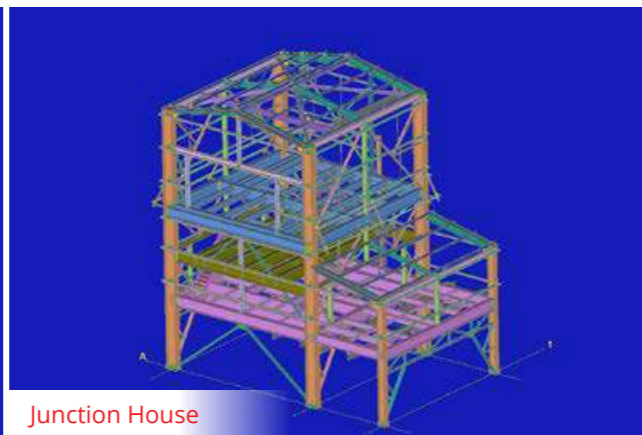
Fostered with rich industry experience and team of professional, we are offering our clients the services for detailed fabrication drawings.

Being one of the prominent names in fabrication detail work engineering, we are involved in offering:

- Conveyor gallery detailing
- Junction house detailing
- Roof truss detailing
- Trestle detailing etc...



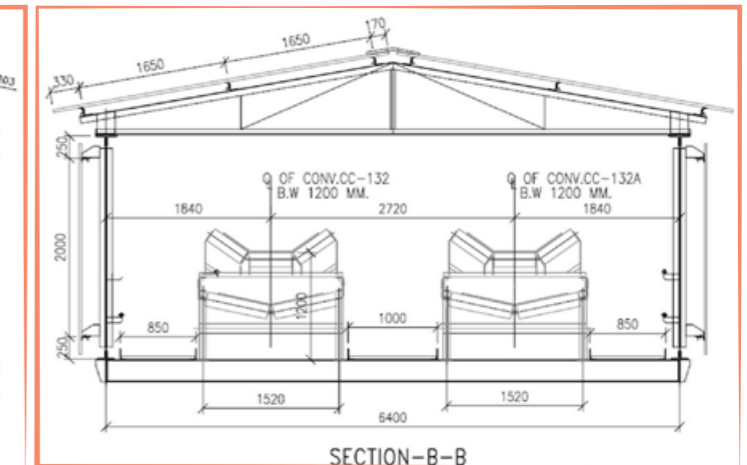
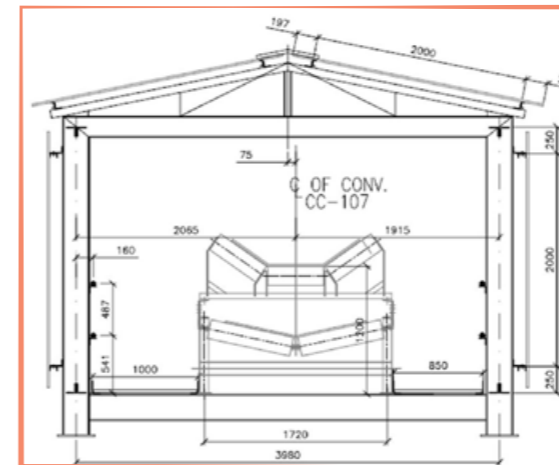
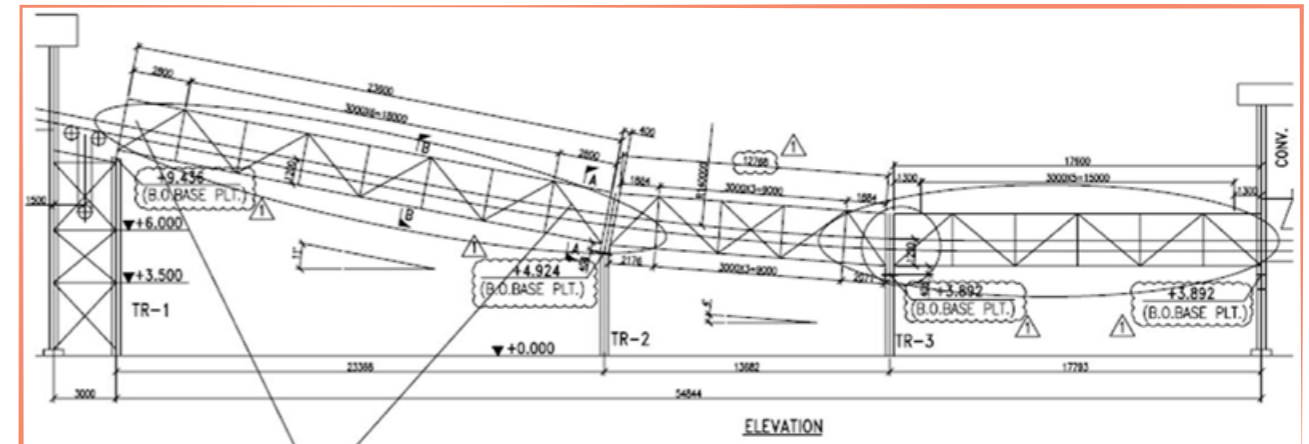
Gallery



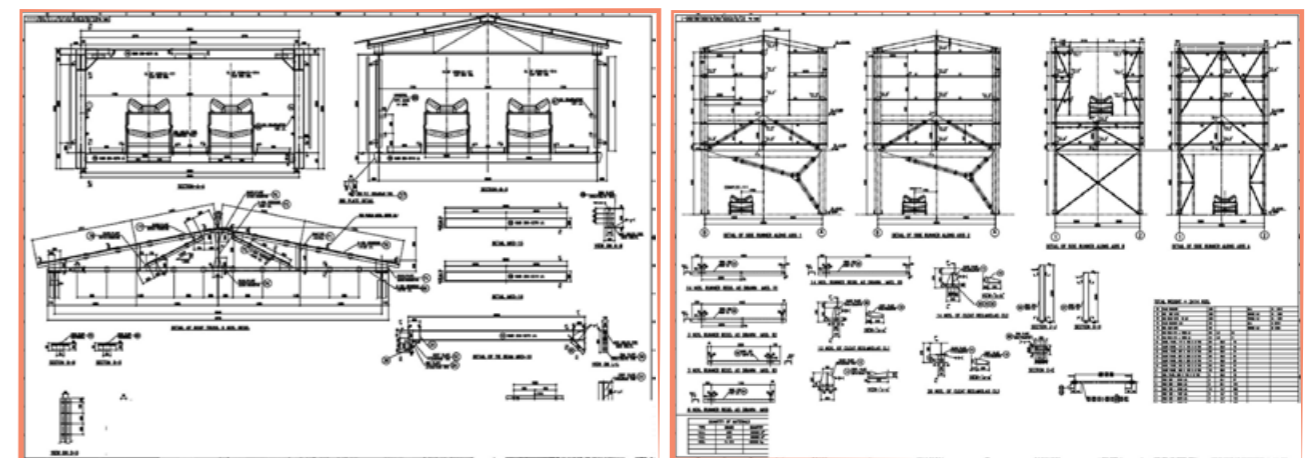
Junction House

- ▶ These services are handled by our team of highly dedicated and adroit professional, who work in close coordination with the clients to understand their specific requirements.
- ▶ Highly reliable fabrication drawing is offered by us in bulk to our customers at market leading prices.
- ▶ We offer optimum solution to the clients as per their specific requirements. With the help of our dedicated and firm workforce, we are able to serve our clients in best possible manner. These services can be availed at economic prices in the market. **Our key Features: Feasible rates, Promptness & On-time solution.**
- ▶ CADWORK's services are rendered in compliance with the international quality standards by making use of advanced technology and methodology.
- ▶ Our offered services are acknowledged by our clients due to its reliability, timely execution and flexibility. Moreover, clients can avail these services at affordable prices.
- ▶ At the project stage, we also undertake fabrication drawings for various components, equipments and machines to serve our clients in best possible manner. Our team of professionals can easily comprehend the client's requirements to provide services accordingly. We are also equipped with requisite facilities to execute the assigned tasks with absolute perfection and timeliness.
- ▶ We are instrumental in offering our clients with fabrication detail drawing services. Our foray lies in undertaking long-term and ongoing fabrication detail drawings project. We also possess the capability of managing bulk volume requirements within the specified time frames. These services we offer fits in to the exact project and business needs of our clients.

1) GA Drawing



2) Detail Drawings





INTELLIGENT ELECTRIC CIRCUIT & PANEL DIAGRAM

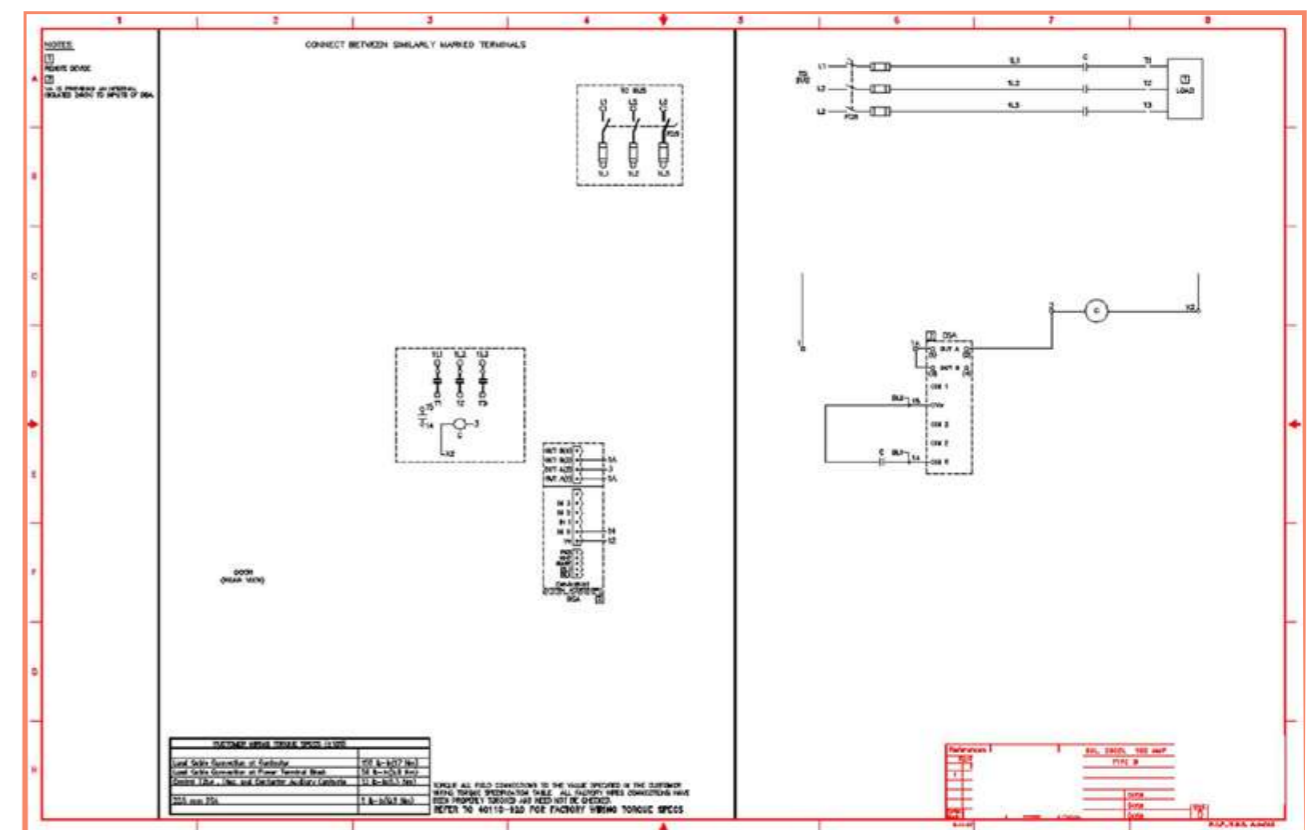
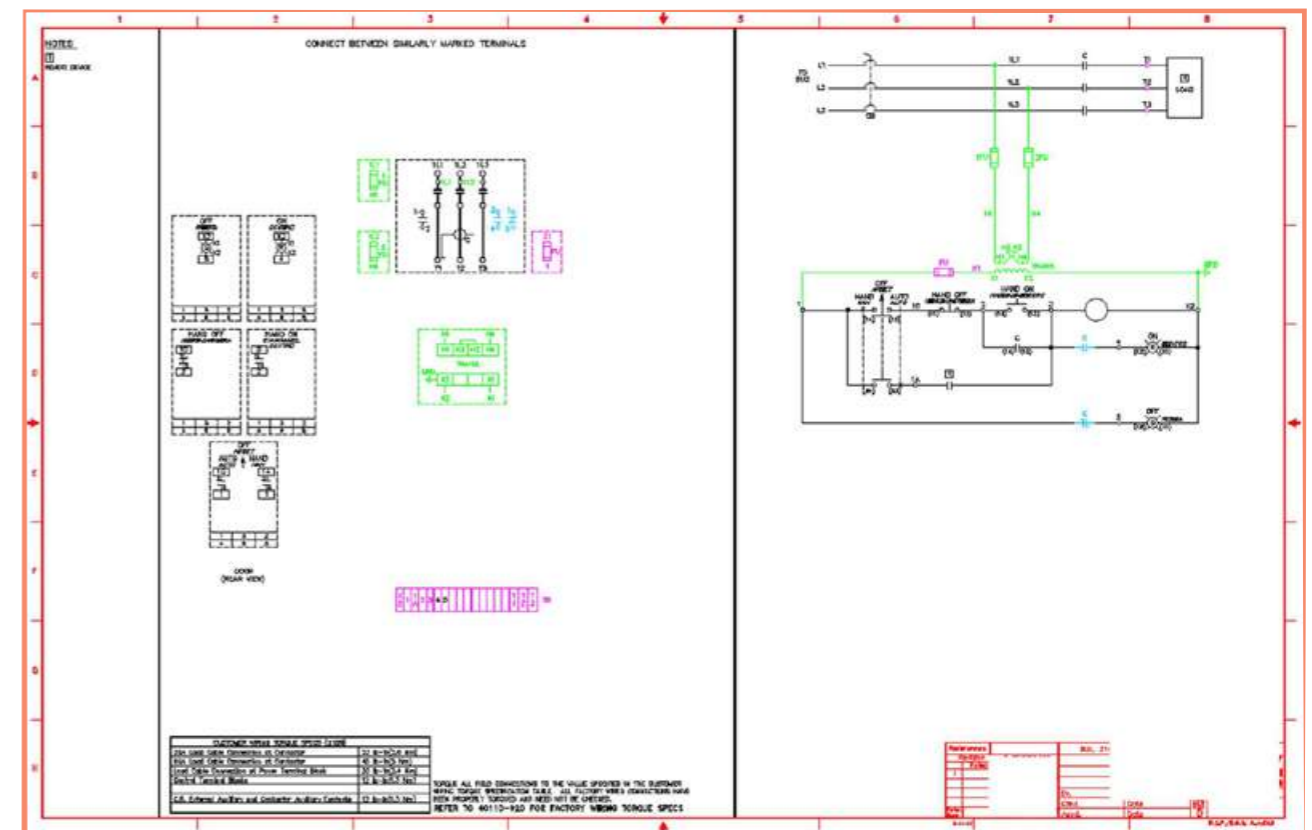
Intelligent electric circuit & panel diagram means dynamically generate rules-based electrical control circuits based on components, wiring, rating & catalogue data.

By Intelligent Electric Circuit and Panel diagram, we provides rich set of CAD drawing and database tools to automate and speed the production of electrical circuit diagrams and comes with standard symbol and manufacturers parts libraries.

- ▶ Intelligent electric circuit & panel diagram means dynamically generate rules-based electrical control circuits based on components, wiring, rating & catalogue data.
- ▶ We provide assigned sequential or reference-based numbers on all wires and components automatically.
- ▶ You can get enhanced drawing, table styles and intelligent cut, copy and paste for modifications as well as to find linking possibilities.
- ▶ You can utilize all these features' of our service for making...
 - Electric Schematic diagrams
 - Wiring diagrams
 - 1 line diagrams
 - Cable block diagrams
 - Loop diagrams
 - Electric panel diagrams.

ADVANTAGES

- ▶ Automated terminal strip generator.
- ▶ Automated wiring diagram generator.
- ▶ Integrated construction of 2D electrical panel layouts.
- ▶ Automated on-drawing BOM and cable list tables.
- ▶ Intelligent array insertion.
- ▶ Circuits with intelligent symbol and retaining connections.
- ▶ Intelligent insert, move, drag, copy, delete and line repair editing functions.
- ▶ Replacement for open or close switch and component or sub-components – with a single click.
- ▶ Rapid selection of contacts, relays, components.
- ▶ Insert a component directly from the catalog database, the symbol being intelligently selected from your chosen standards. This eliminates symbol selection when working with part numbers directly.
- ▶ Automated wire numbering, rung numbering and “contact dot” placement.



WEB BASED PROJECT MANAGEMENT TOOL

A unique web-based project management tool with advanced web technology features.

There are variety of solutions available for different project management requirement, but not as single solution. We have developed such a tool which will provide all project management facility under one package like report generation, circulars, document transfers, track sheet, drawing view & comments, log sheets for different activities, useful information for project along with contact detail for key person etc. All this information is accessible only to concern authorized person only as they are password protected and on secured server. With this tool company can boost project activity without communication gaps as all information is available round the clock and any one can access, modify/update, send or re-send it at his/her convenient time.



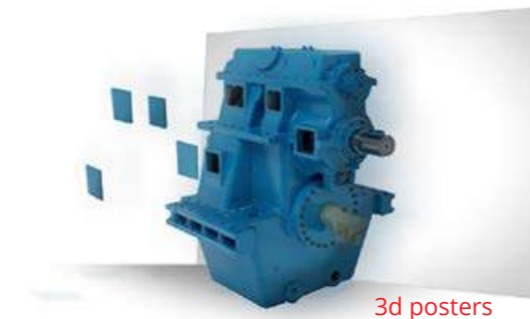
BENEFITS

- ▶ All information protected & available only by login
- ▶ User wise information management system
- ▶ Data transfer facility with same login
- ▶ Admin control panel for rights management
- ▶ Searchable PDF drawings or important documents
- ▶ Easy access to training or reference materials
- ▶ Online communication tool for reporting, tracking, assigning & status related activities
- ▶ Best suitable for large scale projects where co-ordination between clients, offshore units, sub-vendors, on-site employees is necessary but in a secured way
- ▶ Online view facility to view documents or to view 3d models where taking measurements, 3d navigation and lots of other features are also possible.

POSTER DEVELOPMENT

Poster development is the Key to creating a unique brand identity, connecting with customers, and developing trust in today's competitive world.

Poster development is the art of communication, stylizing, and problem-solving through the use of type, space and image, it is often refers to both the process (designing) by which the communication is created and the products (designs) which are generated.



3d posters

→ 3d viewing without stereoscopic glasses

Our designers utilize their creative skills by designing images with commercial and branding awareness. These highly talented artists can take your basic ideas and create something extraordinary.

CORPORATE GIFT

Corporate gifting for small and large companies helps to maintain older clients and indirectly attract and build new potential clients.

In the present business scenario, every company desires to create a good brand name for itself. The company wants to attract a large number of clients and enhance its worth by providing unique and extraordinary gift items in the form of these gifts, this is how gift plays an important role in influencing the performance of the company, which reap abundant benefits.



We are proud to be awarded with...



Contact for Assistance

BENEFITS

- ▶ Brand building
- ▶ Create customer goodwill
- ▶ Strengthens the customer base
- ▶ Increase business
- ▶ We offer your company presentation as locked memory storage inside pen drive.



TF-33/34, Sitaram Super Market, Near Chhani GEB Sub-station,
Chhani Road, Vadodara – 391740, Gujarat, India.

+91 9825528281

+91 0265 3140893

<https://www.cadwork.in>

info@cadwork.in